



L-85 valve



TECNICAL SHEET 07/2015 | IPO2010

SCOPE

L-85 series are 1/4 turn angle brass stem-ball valves designed for being connected to water pipe systems. They are used to shut off individually water supply to washing machines, dishwashers and other different water supply points to proceed to their repairing or replacement.

Some models add check valve to prevent water pollution by backflow of water.

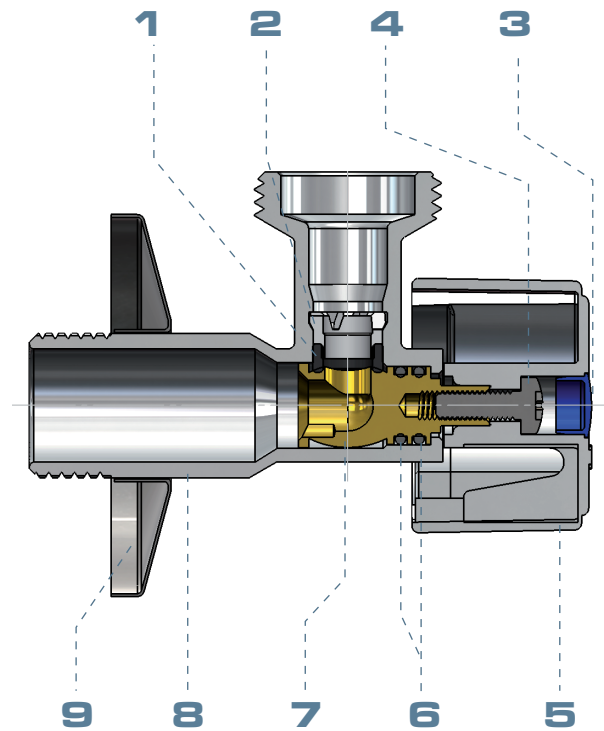
SERVICE CONDITIONS

Nominal pressure:	16 bar
Test pressure:	25 bar
Temperature range:	Cold and hot water up to 95°C
Fluid:	Water intended to human consumption and domestic hot water.



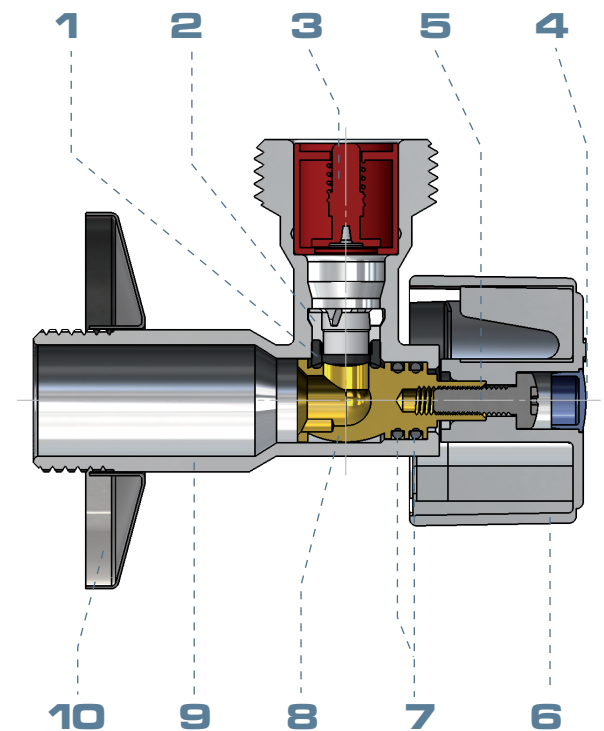
COMPONENTS

Item	Component	Material	Treatment
1	Seat	NBR	
2	Supporting clip	POM	
3	Index	Blue ABS	
4	Screw	Stainless steel	
5	Handle	ABS	Chrome plated
6	O-ring	NBR	
7	Stem-ball	European Brass CW614N	
8	Body	European Brass CW617N	Chrome plated
9	Rosette	Stainless steel	



COMPONENTS

Item	Component	Material	Treatment
1	Seat	NBR	
2	Supporting clip	POM	
3	Check valve	Polymer	
4	Index	Blue ABS	
5	Screw	Stainless steel	
6	Handle	ABS	Chrome plated
7	O-ring	NBR	
8	Stem-ball	European Brass CW614N	
9	Body	European Brass CW617N	Chrome plated
10	Rosette	Stainless steel	



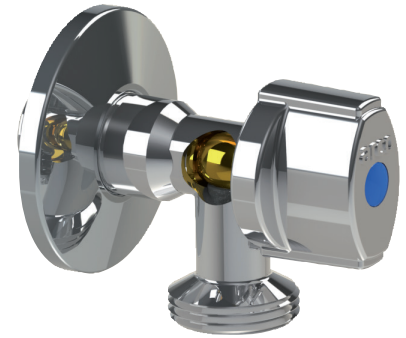


MAIN CONSTRUCTIVE FEATURES

STEM-BALL

Stem and ball are manufactured in one piece with CW614N European brass, which increases its resistance and performance.

This original component from ARCO has been designed to reduce loss of pressure and attenuate the sound pressure, increasing the comfort of the water facilities.



LEAKTIGHTNESS

Internal

The supporting clip made of POM is placed in the valve to push the NBR seat against the stem-ball.

This system can not be dismantled, avoiding improper manipulations.

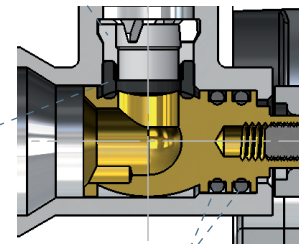
External

A double NBR o-ring placed on the stem assures external leaktightness. This double joint system guarantees safety against external leakage, use, ageing, ...

Supporting clip

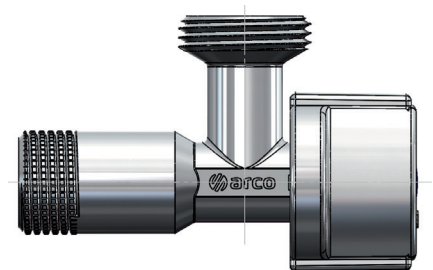
Seat

O-rings



KNURLED THREADS

L-85 valves have the classic knurled system from ARCO on the thread to facilitate the installation. It makes easier the application of Teflon, esparto grass.. to the thread, avoiding sliding of these elements during its application.



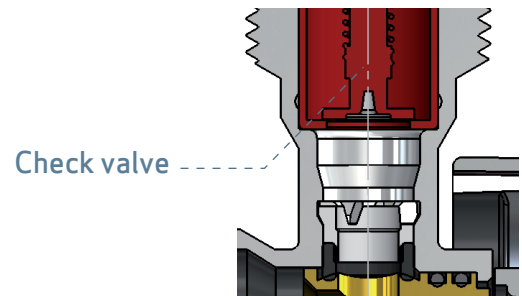


MAIN CONSTRUCTIVE FEATURES

CHECK VALVE

These valves incorporate a check valve system of EB type as classified protection units specified in EN 1717.

The system of protection against pollution of drinking water facilities, due to water reflux, has been certified by the entity BELGACUA

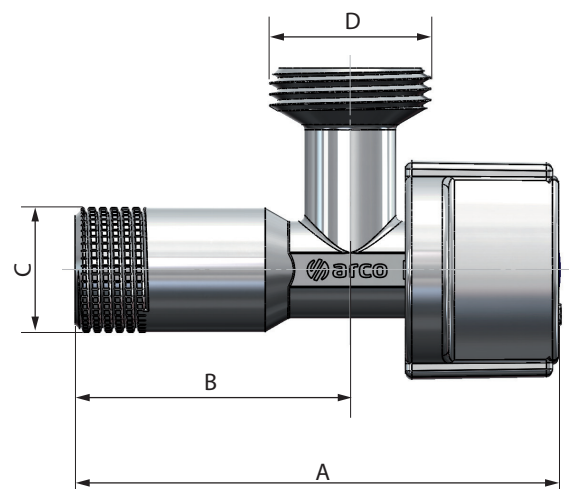


DIMENSIONS

L-85

Size	A	B	C	D
1/2Mx3/4M	79	45	G1/2	G 3/4

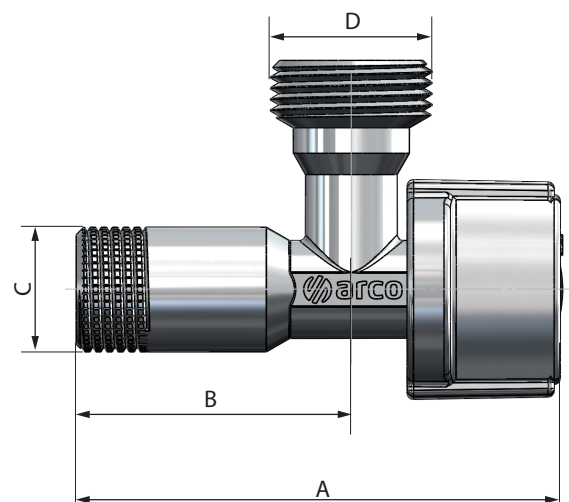
G Thread ISO 228



L-85 Check valve

Size	A	B	C	D
1/2Mx3/4M	79	45	G1/2	G 3/4

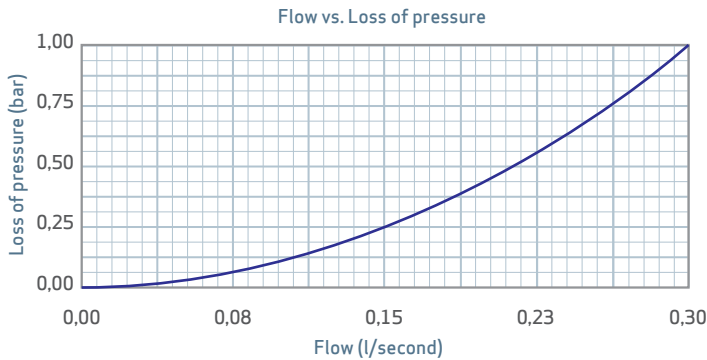
G Thread ISO 228





HYDRAULIC FEATURES

Hydraulic characteristics obtained according to EN 1267.



INSTALATION AND ASSEMBLY

The installation of valves must be done with the right tool.

The tool should be adjusted to the flat sides of the body of the valve, avoiding the deformation of the zone by high pressure of the tool.

Components of the valve must not be altered. The substitution or dismantling of the handle can cause external leaks.

All quarter turn handle valves should work totally open.

